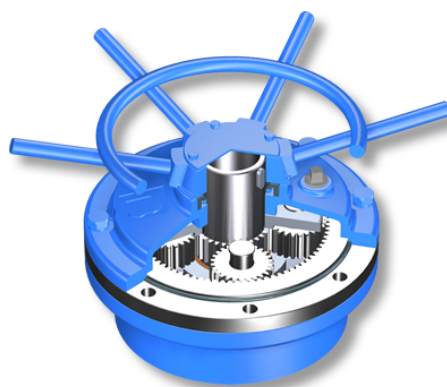


501 Series Manual Actuators

501 series manual actuators with the reduction mechanism of planetary gear could suit gate, stop valves, as well as similar ones of multi-turn applications.



Features

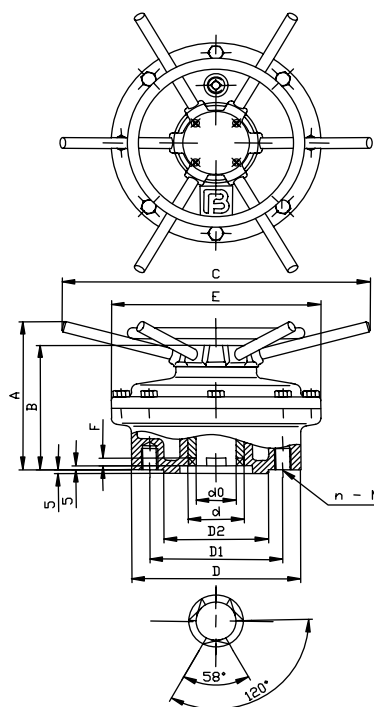
- **Meet special need:** 501 series units are mounted on the tops of the valves for maximum space efficiency. And the top of the drive sleeve may be replaced by other equipment.
- **Reliable sealing:** O-rings are fixed at all connections and the body is fully filled with molybdenum disulfide grease.
- **Compact component:** Adoption of the reduction mechanism of planetary gear makes 501 series units have a space-efficient profile.

Performance Data

Base No.	Output Torque (Nm)	Gear Ratio	Handwheel Dia. (mm)	Max. Stem Dia. (mm)	Weight (kg)
5011	750	3.625	Φ 380	Φ 50	37
5012	1500	4	Φ 500	Φ 62	58

Mounting & Overall Dimensions

	5011	5012
A	210	254
B	180	214
C	Φ 380	Φ 500
D0	Φ 50	Φ 62
d	Φ 68	Φ 98
D	Φ 210	Φ 300
D1	Φ 165	Φ 254
D2	Φ 130	Φ 200
E	Φ 260	Φ 320
F	10	12
n	4	8
M	M20	M16



TIANJIN BEIFANG VALVE ACTUATOR CO., LTD.



Address : Yi Xing Fu Science & Technology Area Beichen District,
Tianjin 300402, China

Tel : (022) 26308907 26309159

Fax : (022) 26300975

http://www.tj-beifang.com

e-mail : bf@tj-beifang.com



BFYBE50101-2007